

# 鎢鋼 4刃球形立銑刀

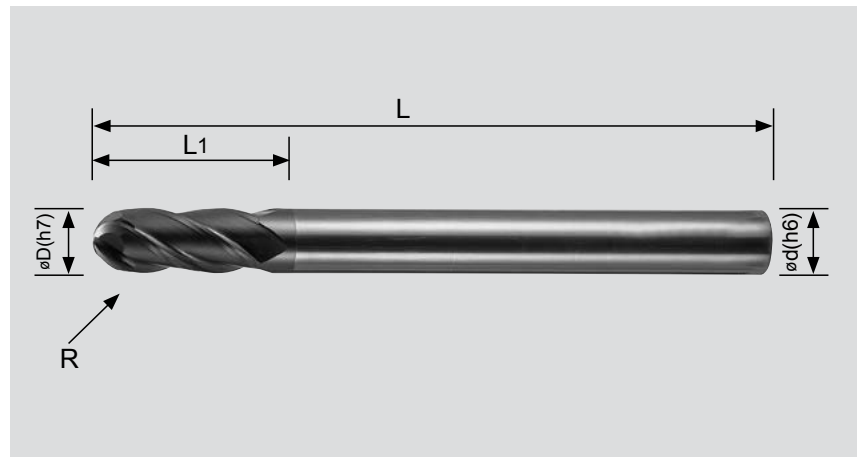
## TUNGSTEN CARBIDE 4-FLUTE BALL END MILL



$3 < d \leq 6$  -0.015 ~ -0.038  
 $6 < d \leq 18$  -0.020 ~ -0.047  
 $18 < d$  -0.020 ~ -0.053

$R = \pm 0.02$

- 超細微粒碳化鎢材質
- Micro-Grain Tungsten Carbide



### 適合材質：

碳素鋼、模具鋼、合金鋼、工具鋼、鑄鐵、不鏽鋼、熱處理鋼、焊補鋼料。

### Applicable materials:

Carbon steel, mold steel, alloy steel, tool steel, cast iron, stainless steel, heat-treated steel, welded steel.

單位/Unit : mm

型號 EDP NO.	刃徑 D Flute Dia.	R徑 Radius	刃長 L1 Length of Cut	全長 L Overall Length	柄徑 d Shank Diameter	刃數 Flute Number	AK45	PK66
64BE-R0.5L39	1.0	R 0.5	3.0	39	3.0	4	●	●
64BE-R0.75L39	1.5	R 0.75	4.0	39	3.0	4	●	●
64BE-R1.0L39	2.0	R 1.0	7.0	39	3.0	4	●	●
64BE-R1.25L39	2.5	R 1.25	7.0	39	3.0	4	●	●
64BE-R1.5L39	3.0	R 1.5	10.0	39	3.0	4	●	●
64BE-R2.0L51	4.0	R 2.0	14.0	51	4.0	4	●	●
64BE-R2.5L51	5.0	R 2.5	15.0	51	5.0	4	●	●
64BE-R3.0L51	6.0	R 3.0	19.0	51	6.0	4	●	●
64BE-R4.0L63	8.0	R 4.0	21.0	63	8.0	4	●	●
64BE-R5.0L75	10.0	R 5.0	22.0	75	10.0	4	●	●
64BE-R6.0L75	12.0	R 6.0	25.0	75	12.0	4	●	●
64BEL-R1.5L100	3.0	R 1.5	15.0	100	3.0	4	●	●
64BEL-R2.0L100	4.0	R 2.0	20.0	100	4.0	4	●	●
64BEL-R2.5L100	5.0	R 2.5	25.0	100	5.0	4	●	●
64BEL-R3.0L100	6.0	R 3.0	30.0	100	6.0	4	●	●
64BEL-R4.0L100	8.0	R 4.0	35.0	100	8.0	4	●	●
64BEL-R5.0L100	10.0	R 5.0	40.0	100	10.0	4	●	●
64BEL-R6.0L100	12.0	R 6.0	45.0	100	12.0	4	●	●
64BEL-R8.0L100	16.0	R 8.0	50.0	100	16.0	4	●	●

註: 有●者表示有庫存  
NOTE: ● means items in stock

切削條件表請參考第76頁