

鎢鋼 4刃球形立銑刀

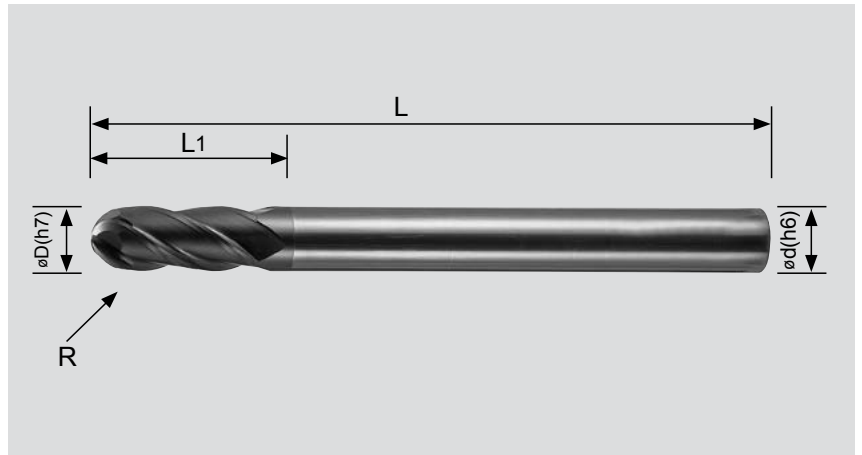
TUNGSTEN CARBIDE 4-FLUTE BALL END MILL



$3 < d \leq 6$ -0.015 ~ -0.038
 $6 < d \leq 18$ -0.020 ~ -0.047
 $18 < d$ -0.020 ~ -0.053

$R = \pm 0.02$

- 超細微粒碳化鎢材質
- Micro-Grain Tungsten Carbide



適合材質：

碳素鋼、模具鋼、合金鋼、工具鋼、鑄鐵、不鏽鋼、熱處理鋼、焊補鋼料。

Applicable materials:

Carbon steel, mold steel, alloy steel, tool steel, alloy steel, cast iron, stainless steel, heat-treated steel, welded steel.

單位/Unit : mm

型號 EDP NO.	刃徑 D Flute Dia.	R徑 Radius	刃長 L1 Length of Cut	全長 L Overall Length	柄徑 d Shank Diameter	刃數 Flute Number	AK35	AK45	PK66
4BE-R2.0L50	4.0	R 2.0	11.0	50	4.0	4	●	●	●
4BE-R2.5L50	5.0	R 2.5	15.0	50	5.0	4	●	●	●
4BE-R3.0L50	6.0	R 3.0	19.0	50	6.0	4	●	●	●
4BE-R4.0L60	8.0	R 4.0	21.0	60	8.0	4	●	●	●
4BE-R5.0L75	10.0	R 5.0	22.0	75	10.0	4	●	●	●
4BE-R6.0L75	12.0	R 6.0	25.0	75	12.0	4	●	●	●
4BE-R7.0L90	14.0	R 7.0	30.0	90	14.0	4	●	●	●
4BE-R8.0L100	16.0	R 8.0	35.0	100	16.0	4	●	●	●
4BEL-R2.0L100	4.0	R 2.0	20.0	100	4.0	4	●	●	●
4BEL-R2.5L100	5.0	R 2.5	25.0	100	5.0	4	●	●	●
4BEL-R3.0L100	6.0	R 3.0	30.0	100	6.0	4	●	●	●
4BEL-R4.0L100	8.0	R 4.0	35.0	100	8.0	4	●	●	●
4BEL-R5.0L100	10.0	R 5.0	40.0	100	10.0	4	●	●	●
4BEL-R6.0L100	12.0	R 6.0	50.0	100	12.0	4	●	●	●
4BEL-R7.0L100	14.0	R 7.0	55.0	120	12.0	4	●	●	●
4BEL-R8.0L100	16.0	R 8.0	60.0	150	14.0	4	●	●	●
4BEL-R9.0L100	18.0	R 9.0	65.0	150	18.0	4	●	●	●
4BEL-R10.0L100	20.0	R 10.0	70.0	200	20.0	4	●	●	●

註：有●者表示有庫存
NOTE: ● means items in stock

切削條件表請參考第76頁