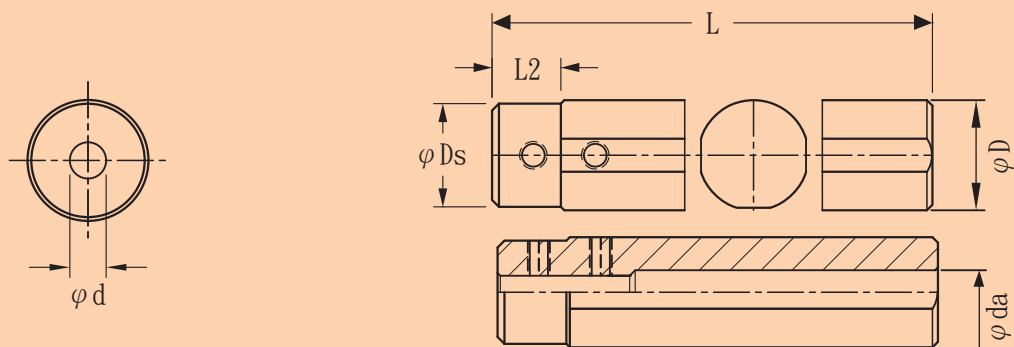


# 套筒 SLEEVE



品名型號 EDP NO.	Ød	ØD	L2	L	ØDs	Øda	螺絲	板手	適用 刀具 Applicable Tools	
SP5650.0416	4.0	16	10	75	15	6.0	M4 *6	LT-2	XX.20.XXX XX.30.XXX XX.40.XXX	
SP5650.0417	4.0	17	10	75	15	6.0				
SP5650.041905	4.0	19.05	10	75	18	6.0				
SP5650.0420	4.0	20	10	75	18	6.0				
SP5650.0420-L100	4.0	20	10	100	18	6.0				
SP5650.0422	4.0	22	10	75	20	6.0				
SP5650.0423	4.0	23	10	75	21	6.0				
SP5650.0423-L100	4.0	23	12	100	21	6.0				
SP5650.0425	4.0	25	12	75	22	6.0				
SP5650.04254	4.0	25.4	12	75	22	6.0	M4 *10			
SP5650.0616	6.0	16	10	75	15	8.0	M5 *5	LT-2.5	XX.50.XXX XX.60.XXX	
SP5650.0617	6.0	17	10	75	15	8.0				
SP5650.061905	6.0	19.05	10	75	18	8.0				
SP5650.0620	6.0	20	10	75	18	8.0				
SP5650.0620-L100	6.0	20	10	100	18	8.0				
SP5650.0622	6.0	22	10	75	20	8.0				
SP5650.0623	6.0	23	10	75	21	8.0				
SP5650.0623-L100	6.0	23	15	100	21	8.0				
SP5650.0625	6.0	25	15	75	22	8.0				
SP5650.06254	6.0	25.4	15	75	22	8.0	M5 *8			
SP5650.0816	8.0	16	10	75	15	10.0	M4 *4	LT-2	XX.70.XXX XX.80.XXX	
SP5650.0817	8.0	17	10	75	15	10.0				
SP5650.081905	8.0	19.05	10	75	18	10.0	M5 *5	LT-2.5		
SP5650.0820	8.0	20	10	75	18	10.0				
SP5650.0822	8.0	22	10	75	20	10.0	M5 *6			
SP5650.0823	8.0	23	10	75	21	10.0				
SP5650.0823-L100	8.0	23	15	100	21	10.0	M5 *8			
SP5650.0825	8.0	25	15	100	22	10.0				
SP5650.08254	8.0	25.4	15	100	22	10.0				
SP5650.101905	10.0	19.05	15	70	18	12.0	M4 *4			LT-2
SP5650.1020	10.0	20	15	70	18	12.0	M5 *5		LT-2.5	
SP5650.1022	10.0	22	15	70	20	12.0				
SP5650.1023	10.0	23	15	70	21	12.0	M6 *6	LT-3		
SP5650.1023-L100	10.0	23	15	100	21	12.0				
SP5650.1025	10.0	25	15	70	22	12.0				
SP5650.10254	10.0	25.4	15	70	22	12.0				