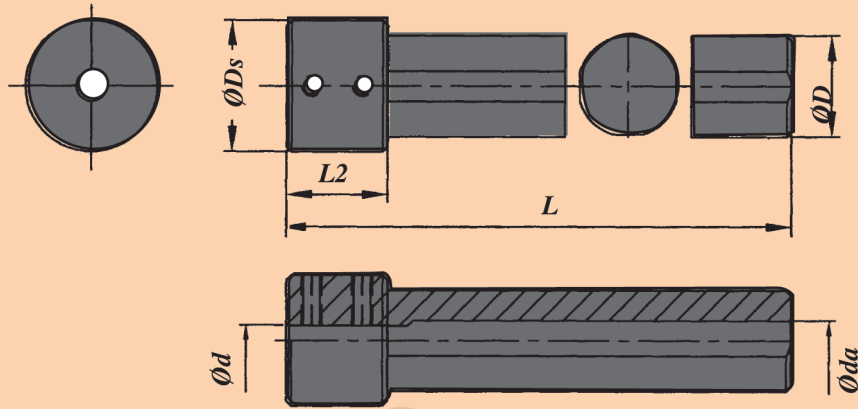


套筒 SLEEVE



品名型號 EDP NO.	$\varnothing d$	$\varnothing D$	L2	L	$\varnothing Ds$	$\varnothing da$	螺絲	板手	適用 刀具 Applicable Tools
SP250.0416	4.0	16	20	100	22	6.0	M4 *6	LT-2	XX.20.XXX XX.30.XXX XX.40.XXX
SP250.041905	4.0	19.05	20	100	25	6.0			
SP250.0420	4.0	20	20	100	26	6.0			
SP250.0422	4.0	22	20	100	28	6.0			
SP250.0423	4.0	23	20	100	29	6.0			
SP250.0425	4.0	25	20	100	31	6.0			
SP250.04254	4.0	25.4	20	100	31	6.0			
SP250.0616	6.0	16	20	100	22	8.0	M5 *6	LT-2.5	XX.50.XXX XX.60.XXX
SP250.061905	6.0	19.05	20	100	25	8.0			
SP250.0620	6.0	20	20	100	26	8.0			
SP250.0622	6.0	22	20	100	28	8.0			
SP250.0623	6.0	23	20	100	29	8.0			
SP250.0625	6.0	25	20	100	31	8.0			
SP250.06254	6.0	25.4	20	100	31	8.0			
SP250.0816	8.0	16	20	100	22	10.0	M5 *6	LT-2.5	XX.70.XXX XX.80.XXX
SP250.081905	8.0	19.05	20	100	25	10.0			
SP250.0820	8.0	20	20	100	26	10.0			
SP250.0822	8.0	22	20	100	28	10.0			
SP250.0823	8.0	23	20	100	29	10.0			
SP250.0825	8.0	25	20	100	31	10.0			
SP250.08254	8.0	25.4	20	100	31	10.0			
SP250.101905	10.0	19.05	20	100	25	12.0	M6 *6	LT-3	XX.100.XXX
SP250.1020	10.0	20	20	100	26	12.0			
SP250.1022	10.0	22	20	100	28	12.0			
SP250.1023	10.0	23	20	100	29	12.0			
SP250.1025	10.0	25	20	100	31	12.0			
SP250.10254	10.0	25.4	20	100	31	12.0			
SP250.121905	12.0	19.05	20	100	25	14.0	M6 *6	LT-3	XX.120.XXX
SP250.1220	12.0	20	20	100	26	14.0			
SP250.1222	12.0	22	20	100	28	14.0			
SP250.1223	12.0	23	20	100	29	14.0			
SP250.1225	12.0	25	20	100	31	14.0			
SP250.12254	12.0	25.4	20	100	31	14.0			