

# 鎢鋼 2刃球形立銑刀

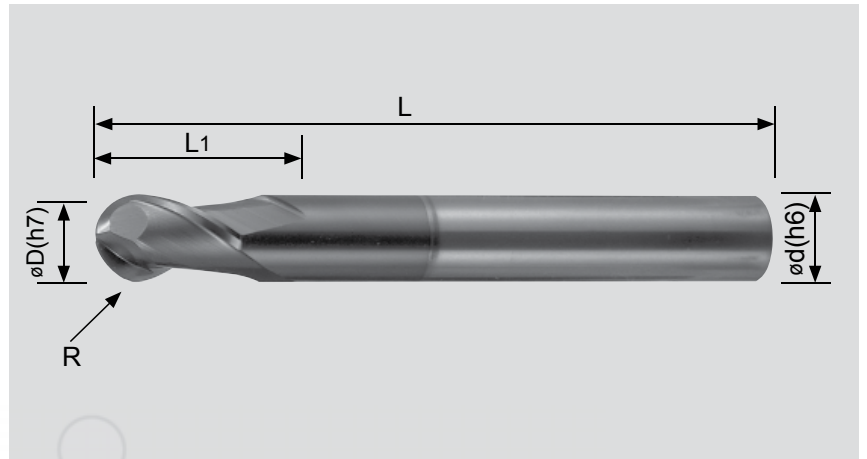
## TUNGSTEN CARBIDE 2-FLUTE BALL END MILL



	$3 < d \leq 6$	-0.015 ~ -0.038
	$6 < d \leq 18$	-0.020 ~ -0.047
	$18 < d$	-0.020 ~ -0.053

	$R = \pm 0.02$
--	----------------

- 超細微粒碳化鎢材質
- Micro-Grain Tungsten Carbide



### 適用材質：

鐵材、碳素鋼、鑄鐵、模具鋼、  
合金鋼、工具鋼、不鏽鋼、  
熱處理鋼、焊補鋼料。

### Applicable materials:

Ferrous metal, carbon steel,  
cast iron, mold steel, alloy steel, tool steel,  
stainless steel, heat-treated steel, welded steel.

單位: Unit : mm

型號 EDP NO.	刃徑 D Flute Dia.	R徑 Radius	刃長 L1 Length of Cut	全長 L Overall Length	柄徑 d Shank Diameter	刃數 Flute Number	AK45	AK925	PK66
2BE-R0.5L50	1.0	R 0.5	2.0	50	4.0	2	●	●	●
2BE-R0.75L50	1.5	R 0.75	3.0	50	4.0	2	●	●	●
2BE-R1.0L50	2.0	R 1.0	4.0	50	4.0	2	●	●	●
2BE-R1.25L50	2.5	R 1.25	5.0	50	4.0	2	●	●	●
2BE-R1.5L50	3.0	R 1.5	6.0	50	4.0	2	●	●	●
2BE-R2.0L50	4.0	R 2.0	8.0	50	4.0	2	●	●	●
2BE-R2.5L50	5.0	R 2.5	10.0	50	6.0	2	●	●	●
2BE-R3.0L50	6.0	R 3.0	12.0	50	6.0	2	●	●	●
2BE-R3.5L60	7.0	R 3.5	14.0	60	8.0	2	●	●	●
2BE-R4.0L60	8.0	R 4.0	16.0	60	8.0	2	●	●	●
2BE-R4.0L75	8.0	R 4.0	16.0	75	8.0	2	●	●	●
2BE-R4.5L75	9.0	R 4.5	18.0	75	10.0	2	●	●	●
2BE-R5.0L75	10.0	R 5.0	20.0	75	10.0	2	●	●	●
2BE-R6.0L75	12.0	R 6.0	20.0	75	12.0	2	●	●	●
2BE-R7.0L80	14.0	R 7.0	24.0	80	14.0	2	●	●	●
2BE-R8.0L100	16.0	R 8.0	24.0	100	16.0	2	●	●	●
2BE-R10.0L150	20.0	R 10.0	30.0	150	20.0	2	●	●	●
2BE-R12.5L150	25.0	R 12.5	35.0	150	25.0	2	●	●	●

註: 有●者表示有庫存

NOTE: ● means items in stock

切削條件表請參考第72頁